



atom
EMC SERIES

A large circular diagram of a light fixture. The outer ring contains several teardrop-shaped elements, with an upward-pointing arrow above one of them. The inner ring contains a grid of small circles. A white rectangular box with a black border is overlaid on the diagram, containing the text 'CONCRETE INSTALLATION'.

CONCRETE INSTALLATION

ULTRA COMPACT NICHE LIGHT

**INSTALLATION &
OWNER'S MANUAL**

CONTENTS

READ THIS FIRST	2
TOOLS REQUIRED	3
PRODUCT SUPPORT AND INFORMATION	3
INCLUDED PARTS	4
FINISHED INSTALLATIONS 1~3 (DIAGRAMS)	5
INSTALLATION INSTRUCTIONS (STEPS 1-10)	7
EM-LIGHT ASSEMBLY (TO NICHE)	17
EM-LIGHT REMOVAL (FROM NICHE)	18
CONNECTIONS	19
MULTI-COLOUR OPERATION	20
TROUBLESHOOTING	21
KEY DIMENSIONS	22



Rainbow Pool Products

PO Box 2388, Mansfield Qld 4122

Telephone STD 61-7-3849 5385

Facsimile STD 61-7-3849 5384

Email: info@rainbowpoolproducts.com.au

Web: www.rainbowpoolproducts.com.au

READ THIS FIRST

This booklet contains important information about the correct installation and handling of EM-series lights. Please read this booklet carefully before commencing installation to familiarise yourself with the included parts, accessories and correct installation procedures.

BEFORE YOU START:

- EM-series cables can be shortened to suit individual installation requirements. Spa Electrics recommends all cabling is protected by conduit and that a conduit draw-box (or similar) is incorporated into pool cabling design to avoid siphoning. 20m cable is supplied as standard; 30m & 50m cable lengths are available to order from Spa Electrics or your distributor.
- Ensure that the lighting system is installed by a suitably qualified person (e.g. registered pool builder and/or qualified electrician), in accordance with the most current edition and/or amendment of AS/NZS 3000:2007 standards.
- For safe and proper installation, ensure that only those parts supplied with the system are used.
- Maximum installation depth for EM-Series lights is 400mm below coping (to centre of light)
- All lights should be mounted in a location that is easily accessible without the need for entering or lowering the pool water.
- At least 700mm cable must remain stored within the Niche to ensure the light can be accessed above the waterline. (Maximum cable within niche = 2 metres).
- EM-series lights can be mounted at any angle provided the installation conforms to the above items.

CLEANING

- Only use warm water and a soft brush or cloth to clean EM-series lights. DO NOT use detergents or spirits as this can damage the light and void your warranty.

USE

- Do not operate light unless completely submerged in water.
- Operating the light for at least 15 minutes every week is advised (all year round).
- EM-series lights are suited for both domestic and commercial installations and can be operated continuously (24/7) if required.



WARNING

The EM series light must only be powered by the supplied 12V AC SPA ELECTRICS transformer.

- DO NOT use electronic or switch-mode transformers with EM-series lights. These transformers will damage the light and void your product warranty.
- Pool chemicals & PH levels: Due to the corrosive nature of unbalanced pool chemicals, Spa Electrics strongly recommend that your pool water is balanced prior to installing your pool lights or any plastic or stainless steel components, and tested weekly to maintain these levels. pH levels should be maintained between 7.2 – 7.6 at all times to ensure the longevity of these components.
 - Failure to do so can result in chemical damage to the light housing and pool fittings, including stainless steel components.
 - Please note: Lights or components found to have excessive chemical damage will not be covered under our manufacturer's warranty policy
- This light contains no user-serviceable parts; opening the light will void the product warranty.

TOOLS REQUIRED

- No. 2 Phillips screwdriver
- 13mm open-ended spanner
- Flat-blade screw driver (for EM-light removal)



IMPORTANT NOTE

The use of power tools (such as 240V and cordless drills) during installation is **not** recommended as these devices can cause faults and damage to light components.

All installation steps should be carried out with manual tools only.

PRODUCT SUPPORT & INFORMATION

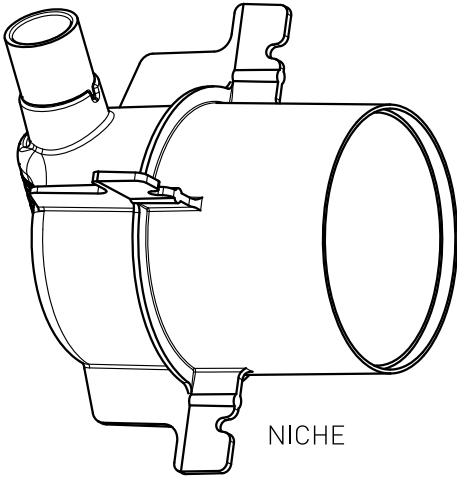
Phone: +61 3 9793 2299 (business hours)

Email: sales@spaelectrics.com.au (SALES enquiries)

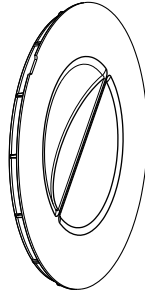
Email: tech@spaelectrics.com.au (TECHNICAL support enquiries)

Web: www.spaelectrics.com.au

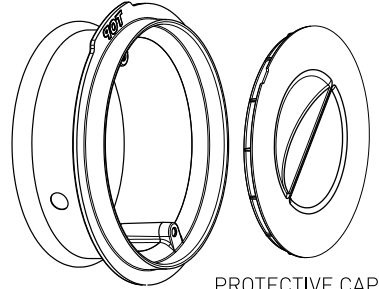
INCLUDED PARTS



NICHE

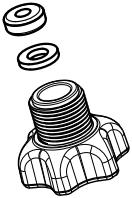


PROTECTIVE CAP

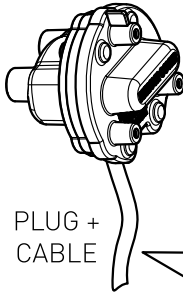


MOUNTING RING
(INC 2 X SCREW)

PROTECTIVE CAP

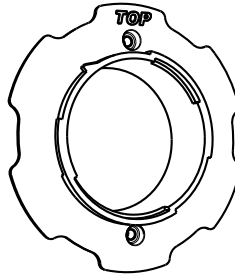


CABLE
GLAND

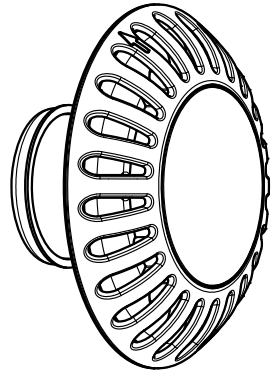


PLUG +
CABLE

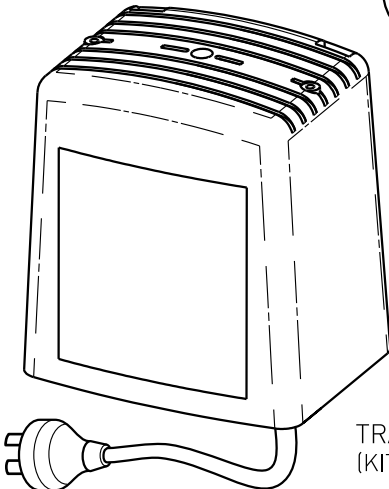
20m



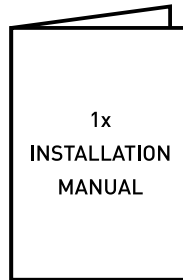
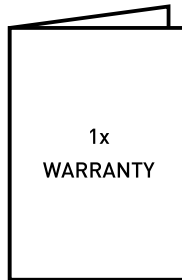
LOCKING
RING



LIGHT

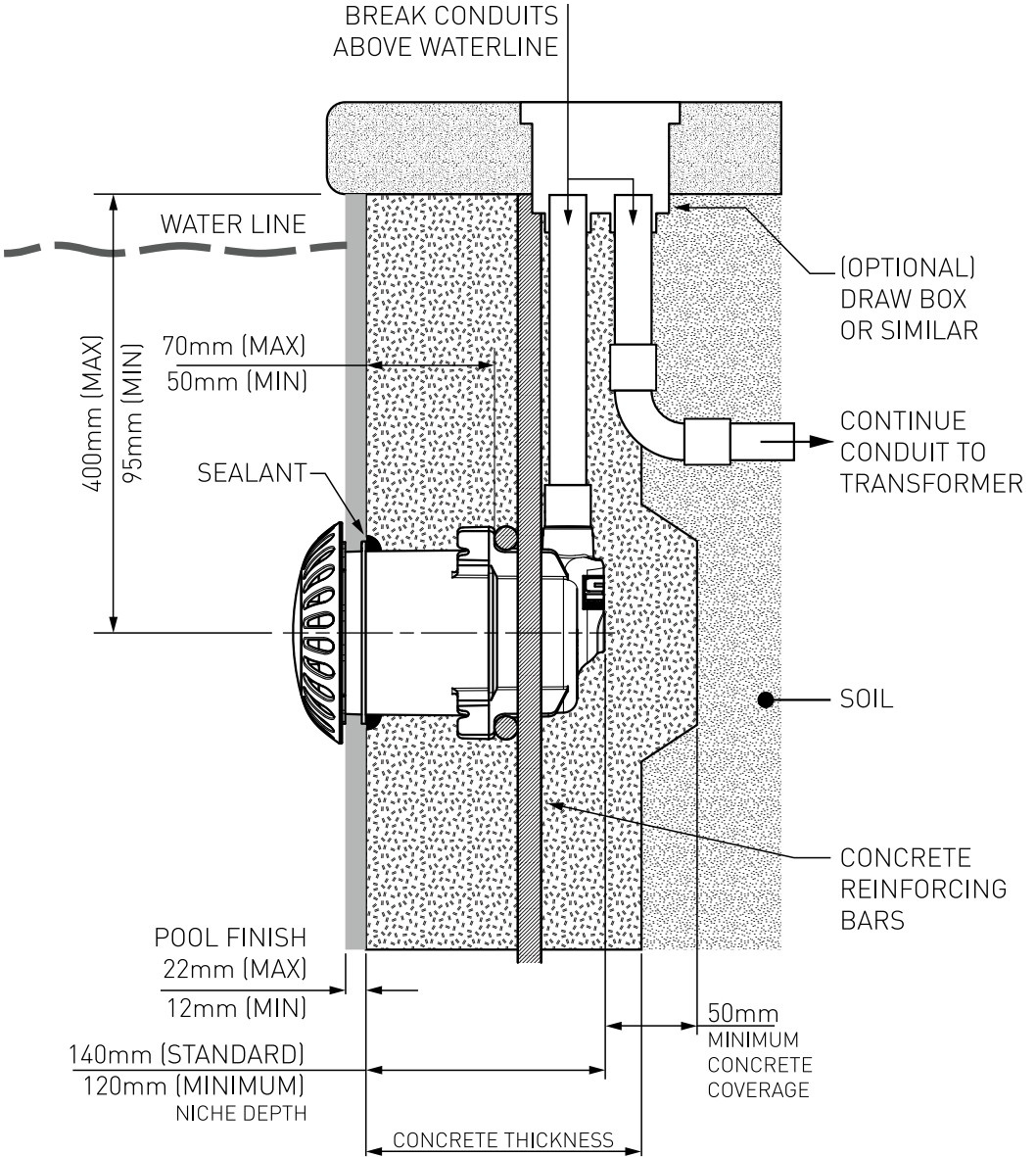


TRANSFORMER
(KITS ONLY)



FINISHED INSTALLATION

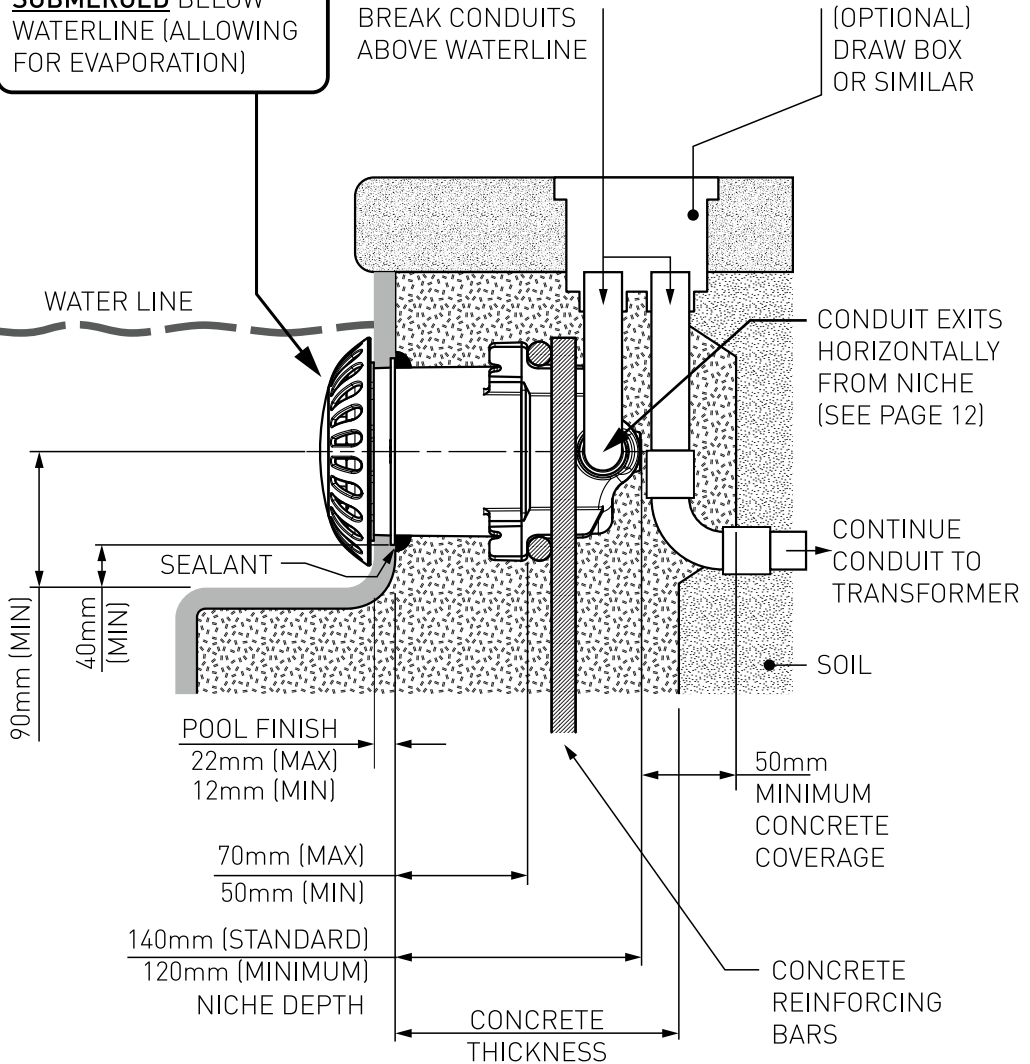
OPTION 1: STANDARD WALL MOUNTING



FINISHED INSTALLATION

OPTION 2: STEP MOUNTING

NOTE
ENSURE INSTALLED LIGHT IS **FULLY SUBMERGED** BELOW WATERLINE (ALLOWING FOR EVAPORATION)

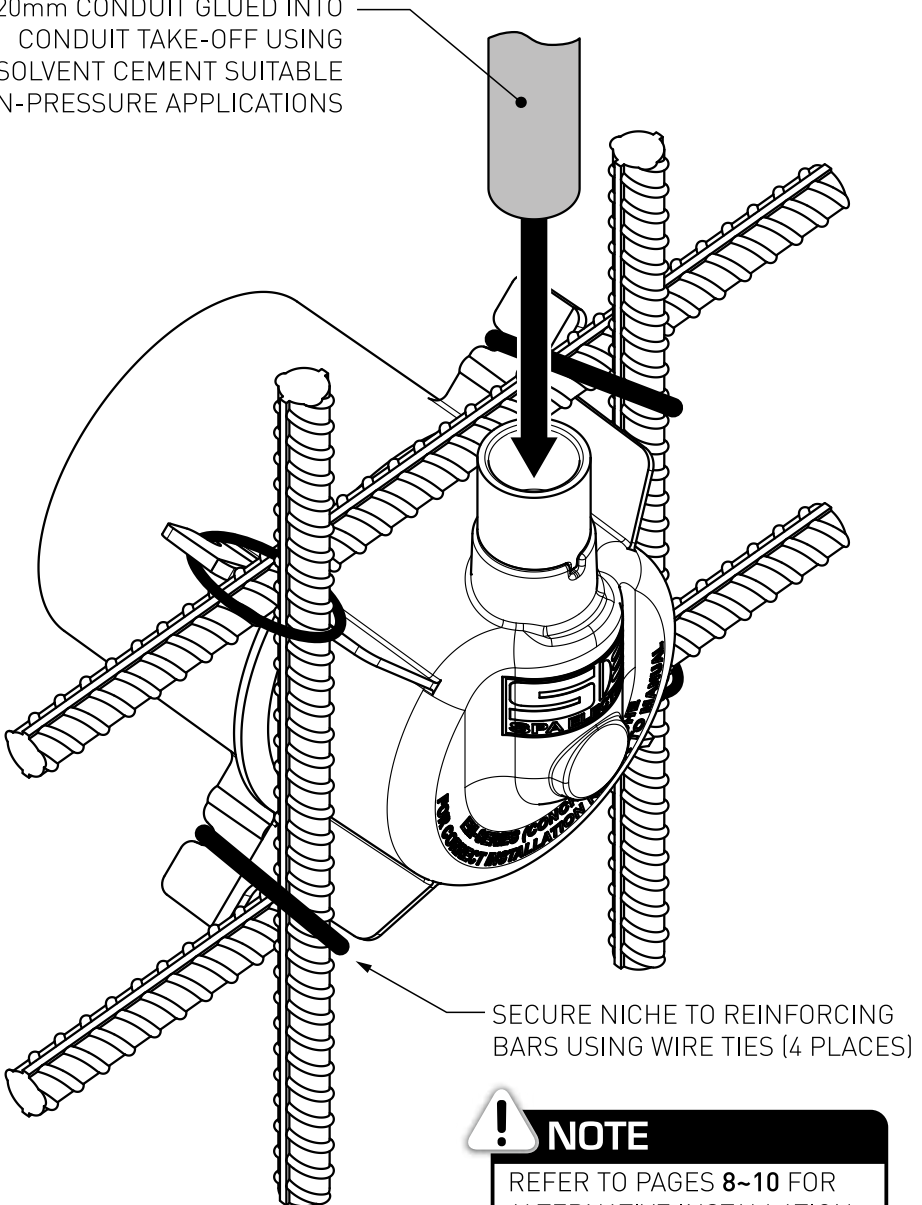


INSTALLATION

1

VERTICAL CONDUIT INSTALLATION

20mm CONDUIT GLUED INTO
CONDUIT TAKE-OFF USING
PVC SOLVENT CEMENT SUITABLE
FOR NON-PRESSURE APPLICATIONS



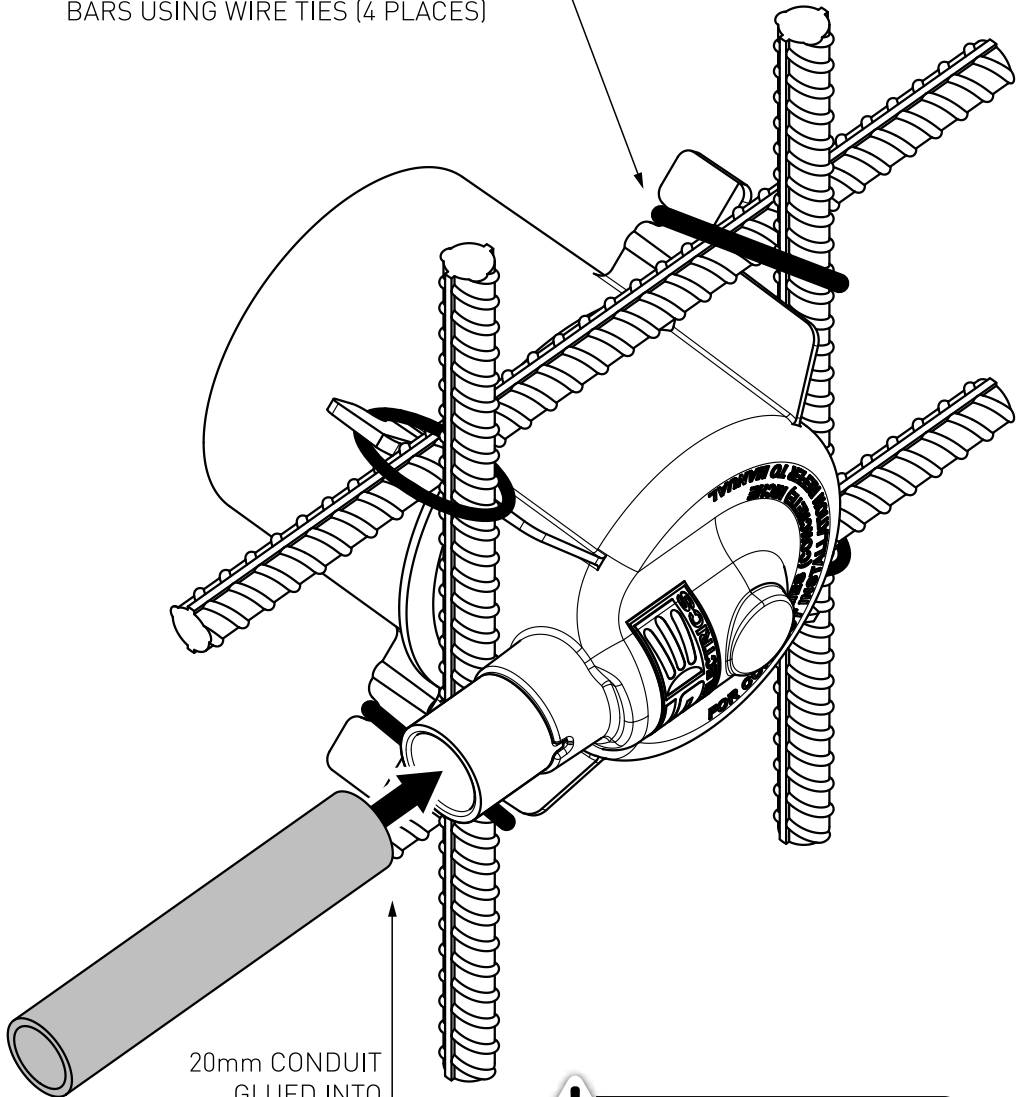
NOTE

REFER TO PAGES 8~10 FOR
ALTERNATIVE INSTALLATION
CONFIGURATIONS

2

HORIZONTAL CONDUIT INSTALLATION

SECURE NICHE TO REINFORCING BARS USING WIRE TIES (4 PLACES)



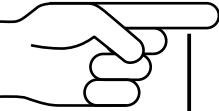
20mm CONDUIT
GLUED INTO
CONDUIT TAKE-OFF
USING APPROVED
PVC SOLVENT
CEMENT

! **NOTE**
REFER TO PAGES 8~10 FOR
ALTERNATIVE INSTALLATION
CONFIGURATIONS

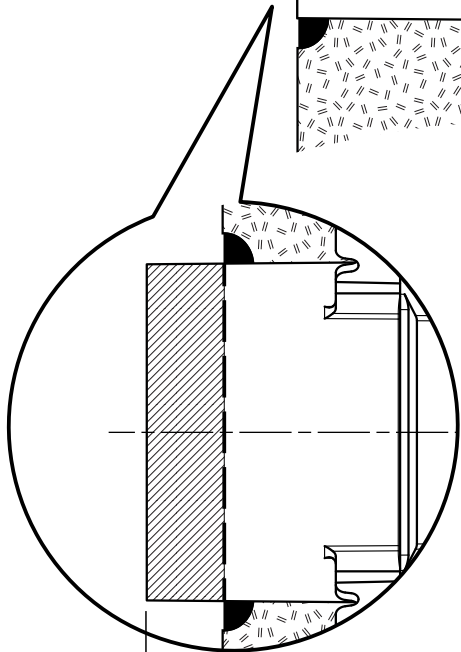
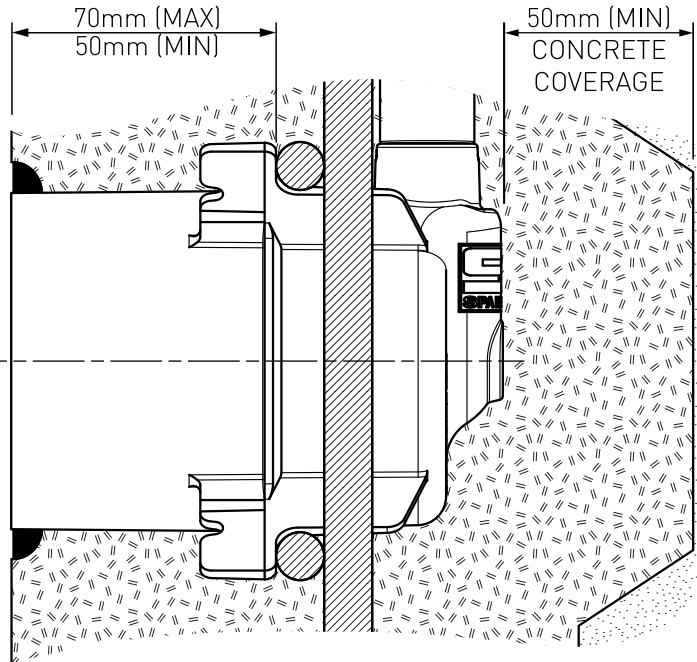
3

NICHE + CONCRETE DETAILS

NOTE



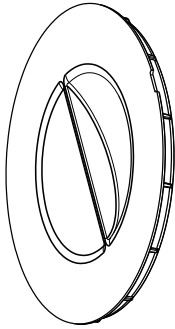
SCALLOP CONCRETE AROUND NICHE PERIMETER AND FILL WITH SEALANT



NICHE PROTRUDING?
NICHE CAN BE TRIMMED A
MAXIMUM OF 20mm IF IT
PROTRUDES FORWARD OF
FINISHED CONCRETE SURFACE

4

INSTALL CABLE & PLUG INTO NICHE

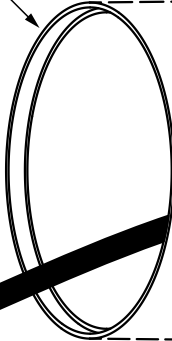
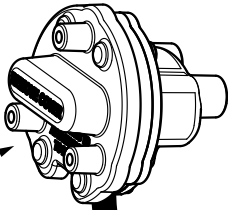


1 REMOVE NICHE PROTECTIVE CAP



CABLE + PLUG ASSEMBLY

NICHE (INSTALLED IN WALL)



NOTE: DO NOT REMOVE RED DUST COVER FROM PLUG (SEE STEP 10)

2 METRES (MAX)
700mm (MIN)

2
DRAW CABLE THROUGH CONDUIT



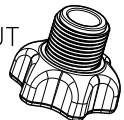
TIGHTEN CABLE NUT BY HAND ONLY

3

RUBBER GROMMET

PLASTIC WASHER

CABLE NUT



IMPORTANT NOTE

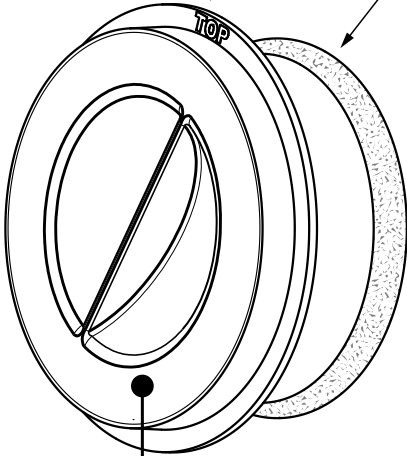
→ ENSURE CABLE GLAND IS ASSEMBLED AS SHOWN.



5

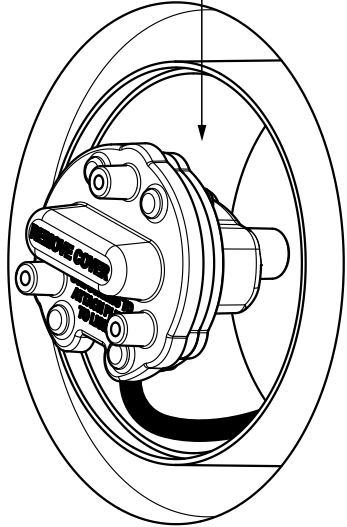
INSTALL MOUNTING RING INTO NICHE

NOTE
ENSURE "TOP" IS POSITIONED CORRECTLY



2 APPLY PVC SOLVENT CEMENT TO MOUNTING RING

1 COIL PLUG & CABLE INSIDE NICHE



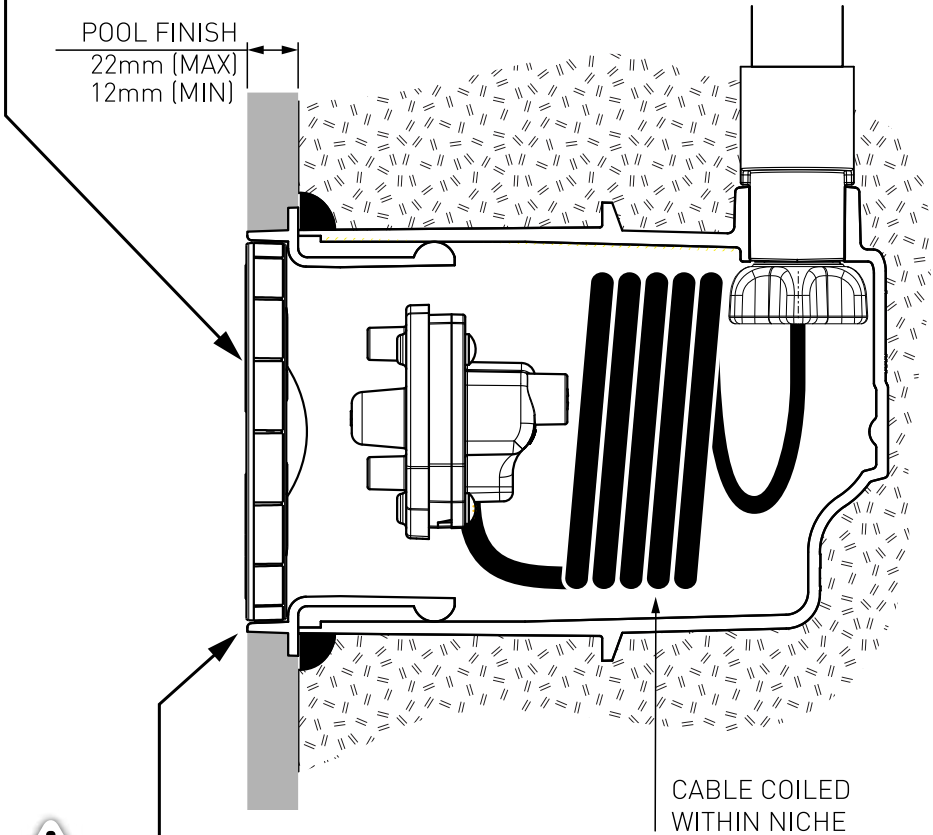
3 FIRMLY PUSH MOUNTING RING INTO NICHE

NOTE
ENSURE PROTECTIVE CAP REMAINS IN MOUNTING RING (UNTIL STEP 8)

6

APPLY POOL FINISH

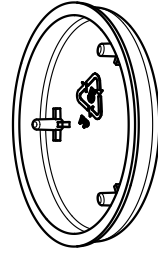
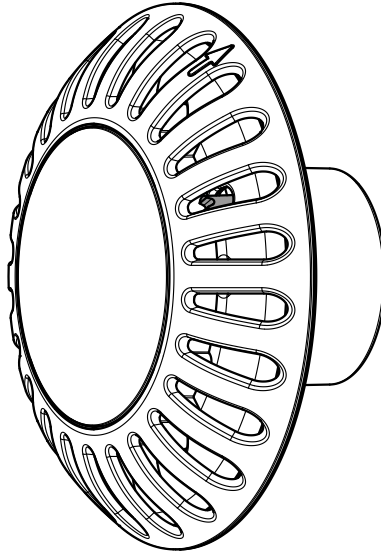
! NOTE
PROTECTIVE CAP MUST REMAIN IN MOUNTING RING DURING RENDERING / TILING



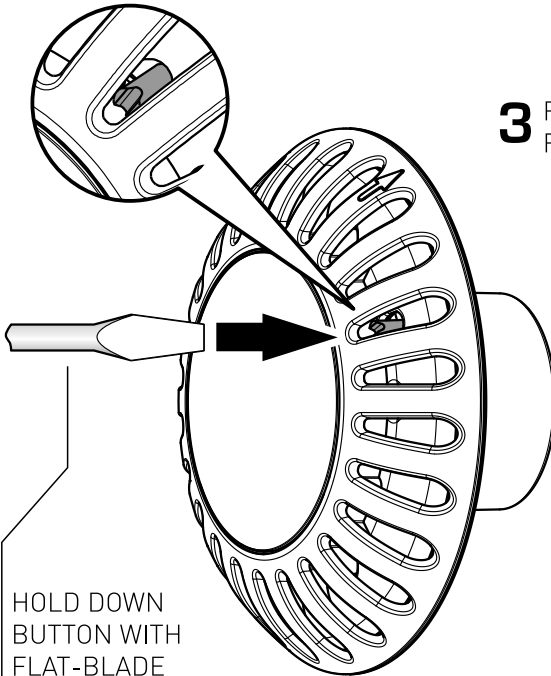
! NOTE
DO NOT TRIM FRONT EDGE OF MOUNTING RING

7

REMOVE LOCKING RING

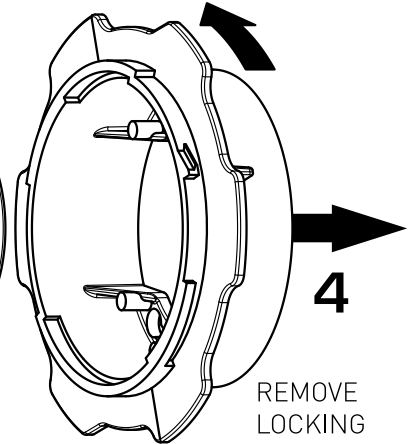


1 REMOVE
DUST CAP



2 HOLD DOWN
BUTTON WITH
FLAT-BLADE

3 ROTATE ANTI-CLOCKWISE &
RELEASE LOCKING RING

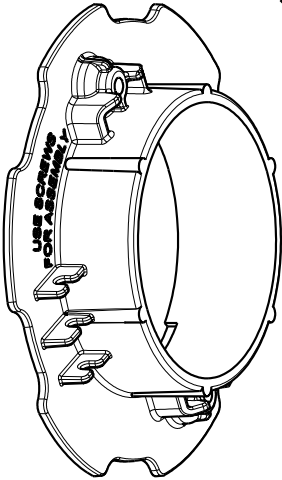


4
REMOVE
LOCKING
RING

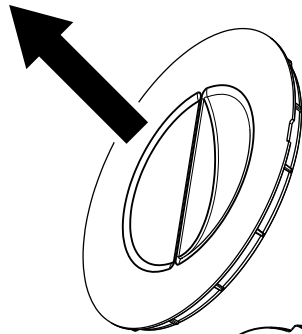
8

ASSEMBLE LOCKING RING TO MOUNTING RING

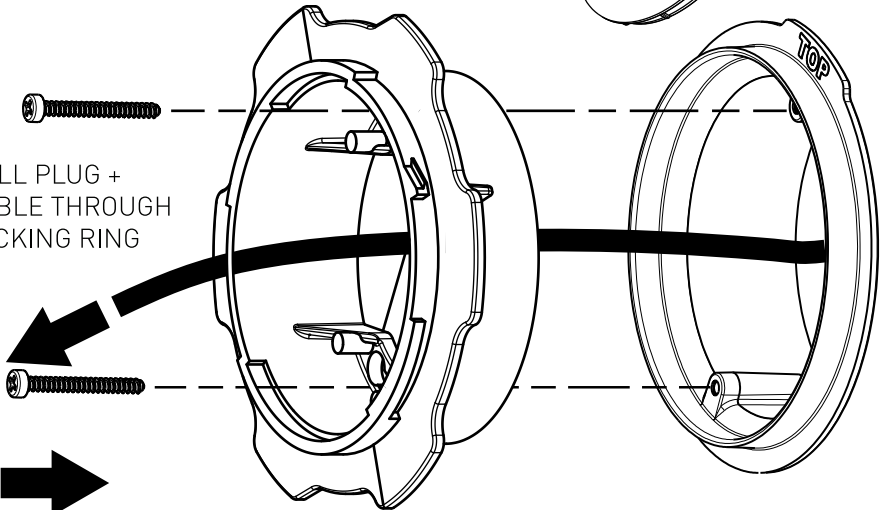
1 REMOVE MOUNTING SCREWS FROM REAR OF LOCKING RING.



2 REMOVE PROTECTIVE CAP FROM MOUNTING RING



3 PULL PLUG + CABLE THROUGH LOCKING RING



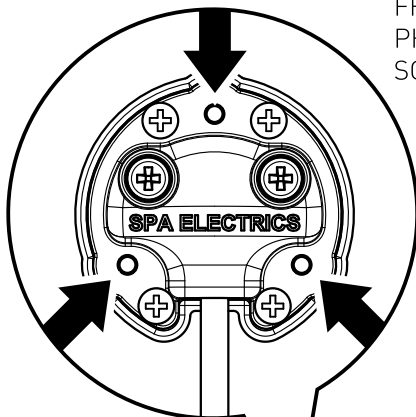
4 ASSEMBLE LOCKING RING WITH MOUNTING RING USING MOUNTING SCREWS PROVIDED.



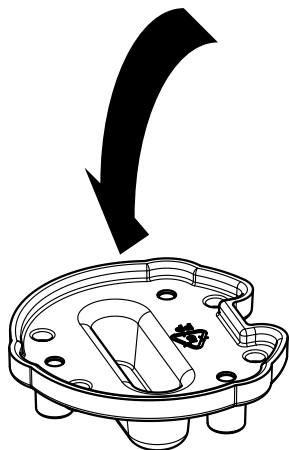
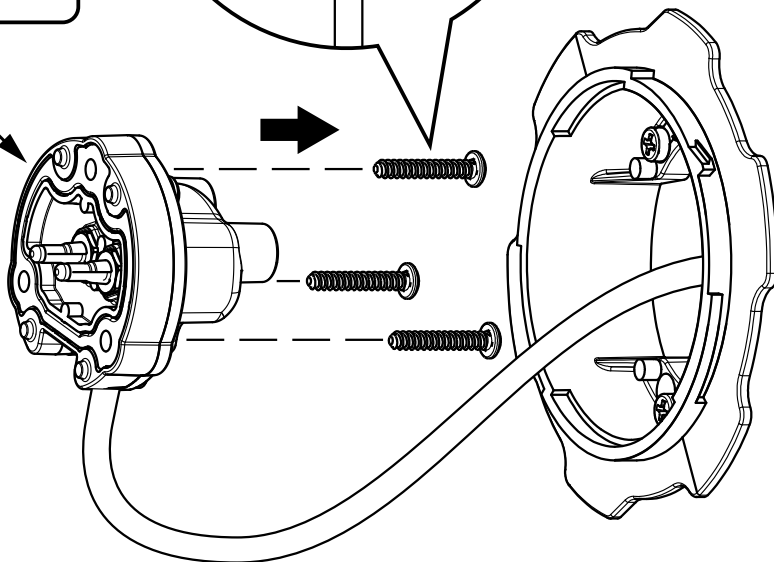
9

REMOVE PLUG DUST COVER

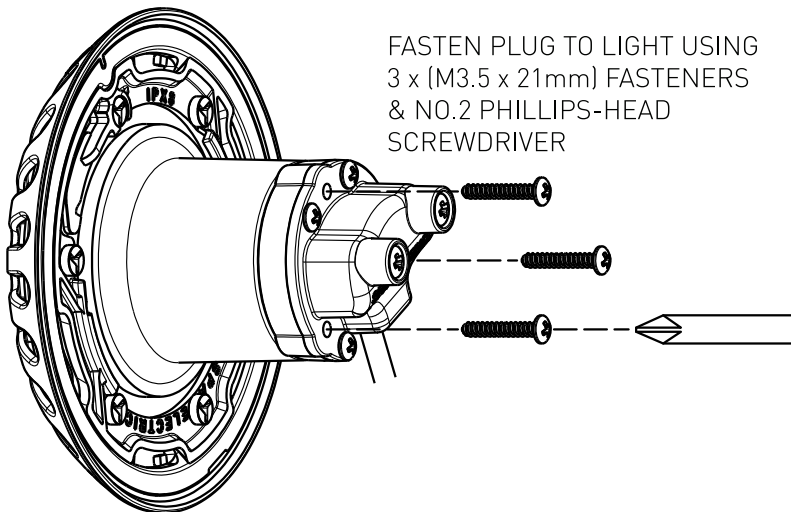
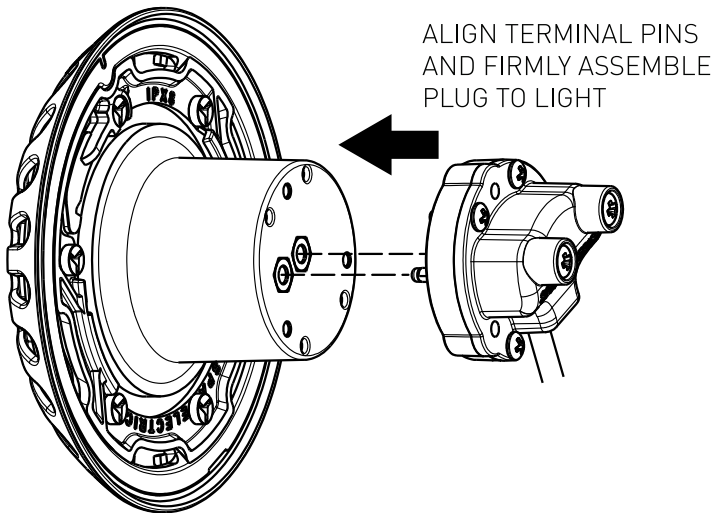
REMOVE DUST COVER FROM PLUG USING PHILLIPS-HEAD (NO.2) SCREW-DRIVER



NOTE
ENSURE SEAL IS SEATED FLAT IN PLUG BASE



NOTE
DO NOT REMOVE RED DUST COVER UNDERWATER



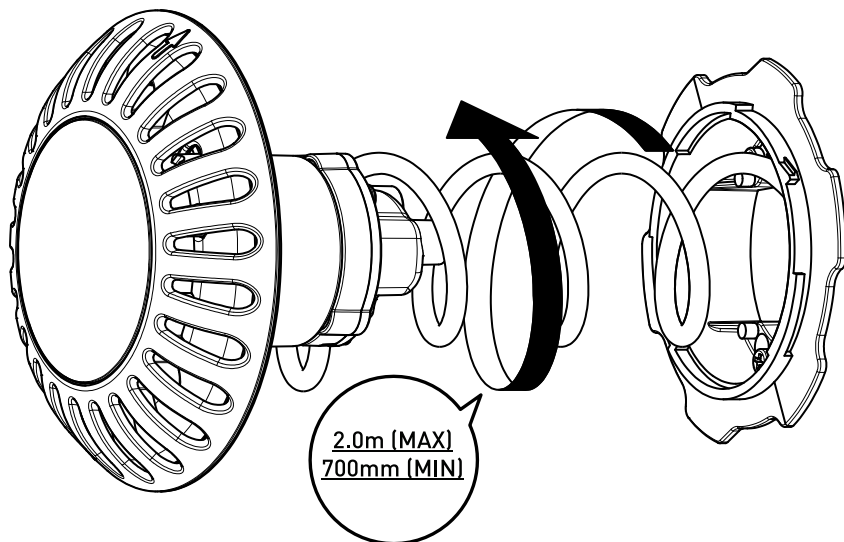
IMPORTANT NOTES

- DO NOT OVERTIGHTEN SCREWS
- DO NOT USE POWER-TOOLS
- DO NOT ADD SEALANTS OR GREASES
- ENSURE ALL SURFACES ARE CLEAN AND DRY
- **DO NOT ASSEMBLE UNDERWATER**

EM-LIGHT ASSEMBLY

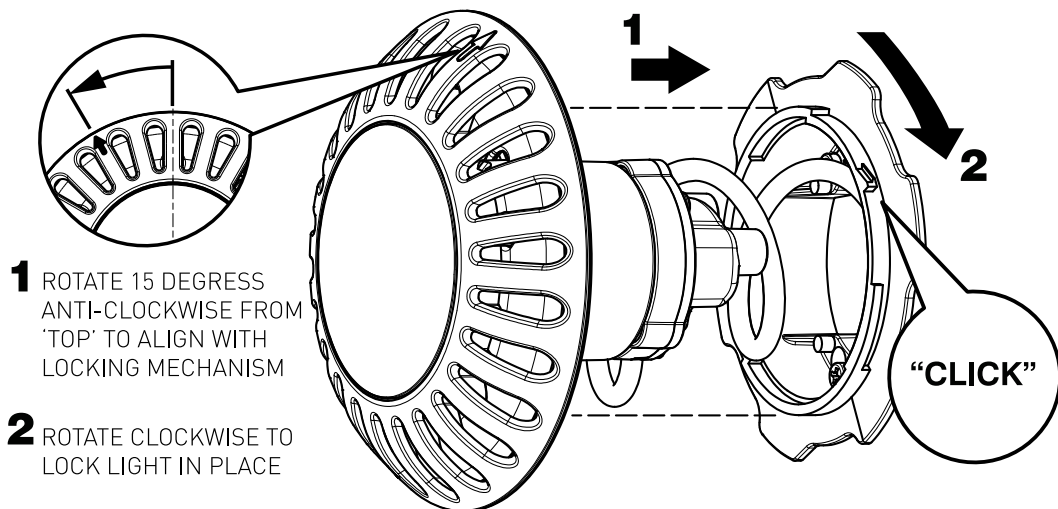
1

COIL CABLE INSIDE NICHE



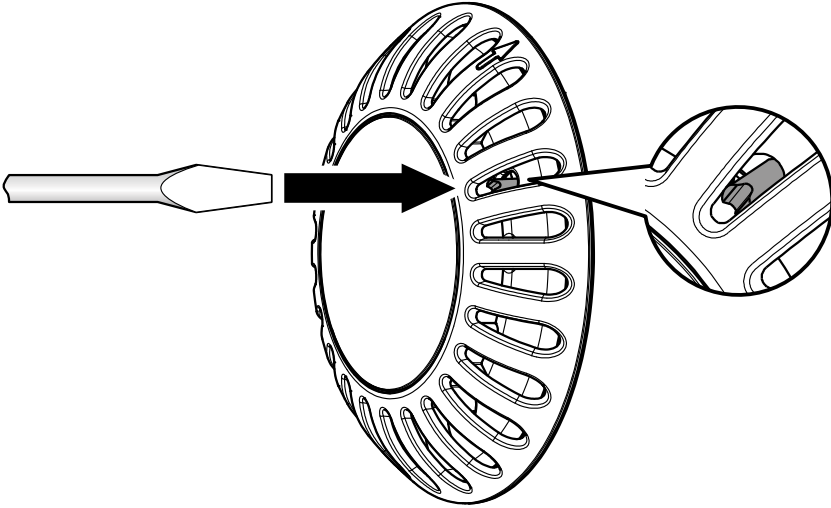
2

INSERT LIGHT INTO LOCKING RING

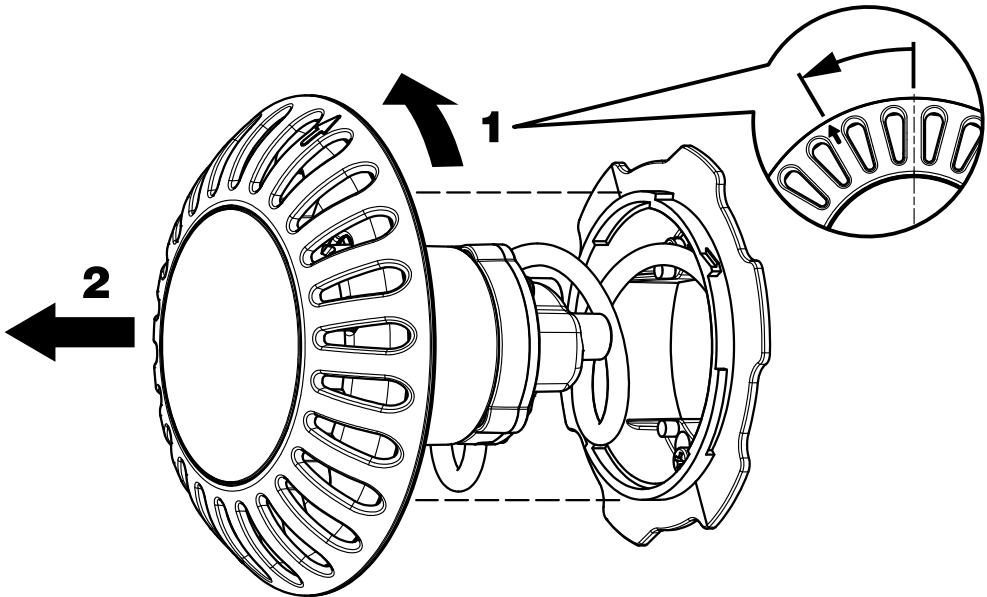


EM-LIGHT REMOVAL

1 PUSH DOWN BUTTON WITH FLAT BLADE & HOLD

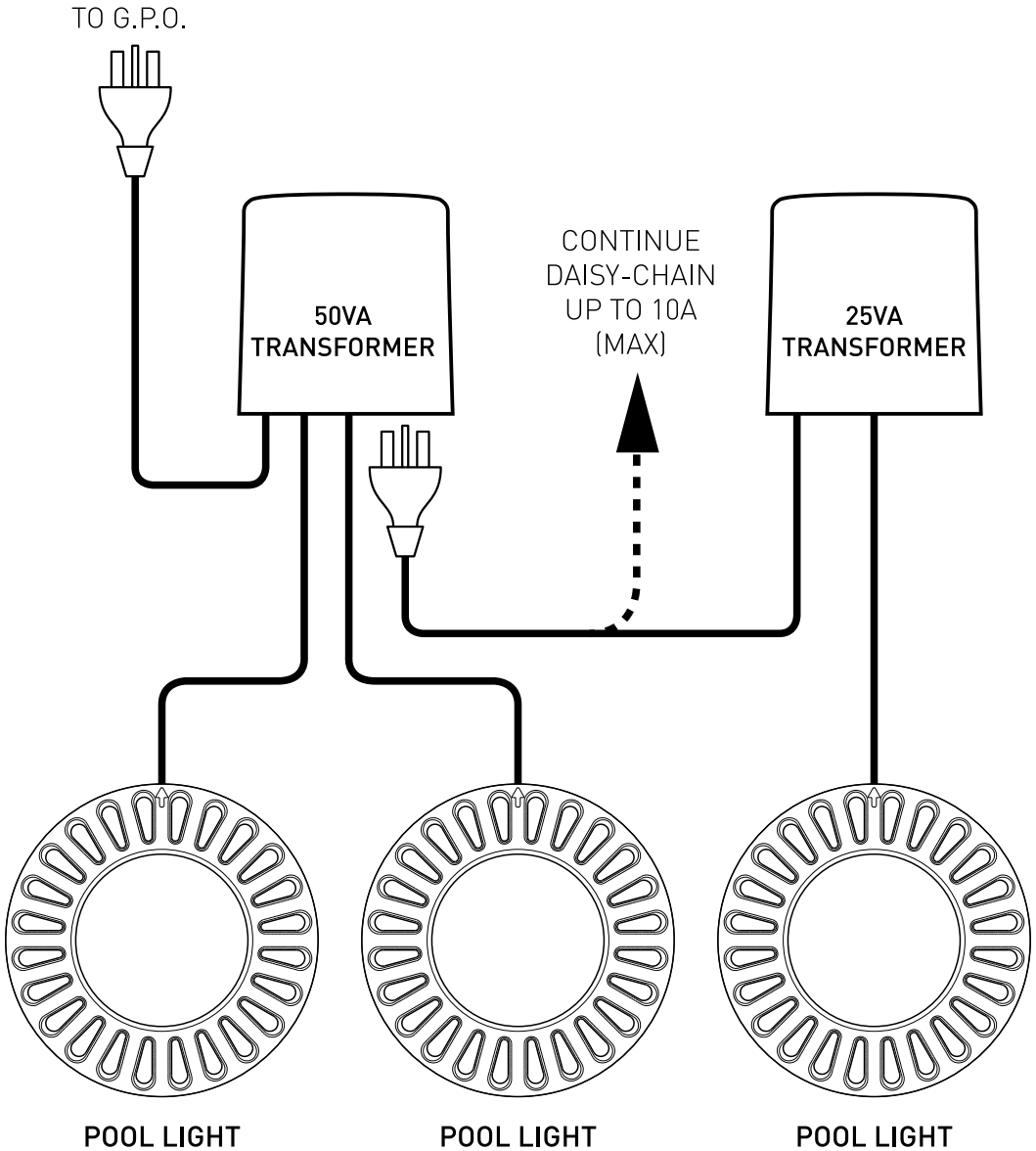


2 ROTATE ANTI-CLOCKWISE & RELEASE FROM LOCKING RING



CONNECTIONS

HOW TO CONNECT MULTIPLE EM-LIGHTS



MULTI-COLOUR OPERATION

MULTI-Colour light models provide a choice of 8 exciting fixed colours & 2 Multi-Colour programs with the flick of a switch!

COLOURS AVAILABLE:

- | | | |
|----------------------------|-------------------------|--------------------------|
| 1. Electric Blue | 4. Spring Lime | 7. Daylight White |
| 2. Midnight Magenta | 5. Lagoon Green | 8. Warm White |
| 3. Ruby Red | 6. Tropical Aqua | 9. Slow colour Blend |
| | | 10. Fast Colour Change |

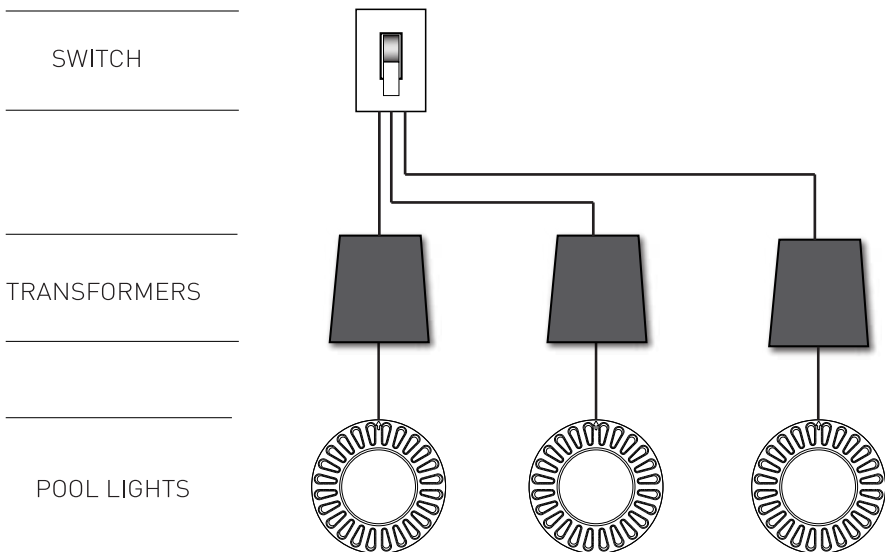
OPERATING INSTRUCTIONS

1. To change the color of the light, simply turn your light **OFF** for **2** seconds and then turn it back **ON**. This will signal the light to step through to the next colour. Colours will display in the order above, to select a desired colour, simply step through the colours until you find your desired selection.
2. Your lights will automatically save your selected colour once the power has been turned **OFF** for more than **1** minute so the next time the lights are used, they will illuminate on the last colour selected.
3. To reset or 'synchronize' your lights; with the power turned **ON**, turn the power **OFF/ON** once rapidly. This will put the lights into **RESET** mode (flashing **BLUE**), once this occurs turn the power **OFF**, wait **2** seconds & turn the power **ON**. Your lights should now be synchronized.

SYNCHRONIZED INSTALLATION

When installing multiple lights; to ensure synchronization and ease of operation all Lights must operate from a single switch.

WIRING DIAGRAM



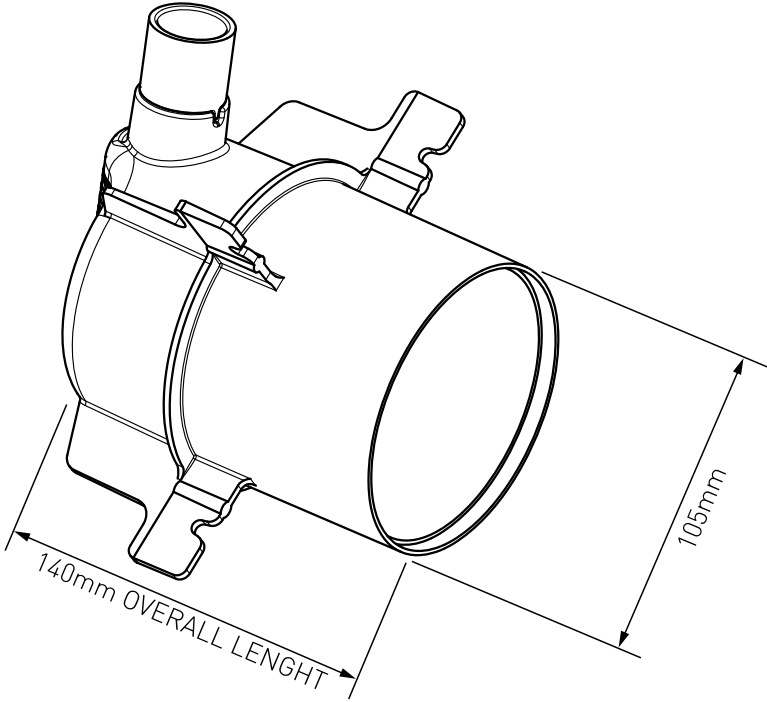
TROUBLESHOOTING

ISSUE	REASON	ACTION
Light flashing Blue continuously	System is in "Reset" mode	Refer to multi-colour operating instructions
Light flashes 2 times	Light over heating	Check light is fully submerged. Check vents are not obstructed
Light not operating (1)	Faulty connection to transformer	Ensure cable correctly connected to transformer terminals as per instructions
Light not operating (2)	Mains power not connected	Check transformer is plugged in to GPO and switched on
Light not operating (3)	Damaged cable	Disconnect plug top and test voltage under load using multi-meter (ie. 20w 12v)
Light not operating (4)	Transformer not working	Check fuses & test transformer using multimeter under load (ie. 20W 12V)
Light not operating (5)	Damage caused by high voltage and/or incorrect power supply.	Return product to Spa Electrics for repair
Light colours not synchronised	Power interruptions or lights have been used individually	Reset lights - refer to multi-colour operating instructions

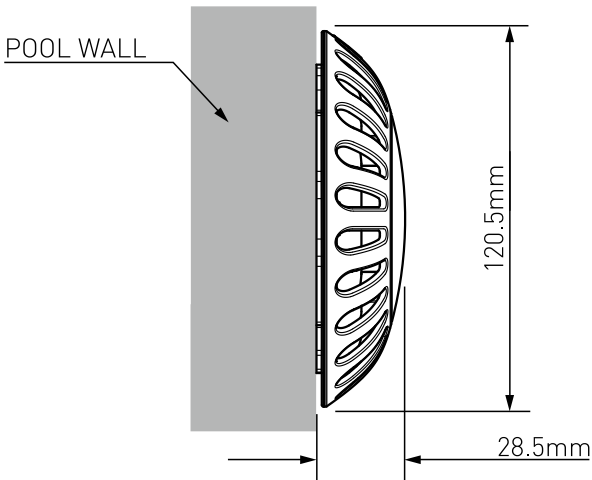
If these issues cannot be resolved with the above recommended actions, please contact your distributor or Spa Electrics.

KEY DIMENSIONS

A NICHE



B INSTALLED LIGHT





NOTE

PLEASE STORE THIS
MANUAL IN A SAFE PLACE
FOR FUTURE REFERENCE

atom
EMC SERIES



Rainbow Pool Products

PO Box 2388, Mansfield Qld 4122

Telephone STD 61-7-3849 5385

Facsimile STD 61-7-3849 5384

Email: info@rainbowpoolproducts.com.au

Web: www.rainbowpoolproducts.com.au



www.spaelectrics.com.au

© COPYRIGHT 2014 SPA ELECTRICS PTY. LTD.
ALL RIGHTS RESERVED